



INTRODUCTION SAVE ENERGY WITH NIVISS

The Ground series was designed using modern simulation methods in order to obtain the highest product quality. Ground series fixtures are made of top-quality materials such as marine grade steel, high-purity glass for optical applications, and modern CREE LEDs.

- Based on CREE® LEDs
- 230V AC / 12-24V on request
- Made of 316L steel
- Power: 7W / 6W
- IP67 / IP68
- 5-year warranty
- Round or square front
- Also available with an aluminium body

APPLICATIONS The Niviss Ground Standard fixture can be used for lighting many places and objects such as:

- parks
- gardens
- terraces
- squares
- premises
- plants

SPECIFICATION

LIGHT COLOUR	AMBER WHITE	CONFORT WHITE	WARM WHITE	NEUTRAL WHITE	COOL WHITE
Colour Temperature*	2200 ± 150 K	2700 ± 150 K	3000 ± 150 K	4000 ± 250 K	5000 ± 250 K
Effective Lumen Output**	350 lm	500 lm	500 lm	570 lm	570 lm
CRI	≥ 80				
Viewing Angle [FWHM]	30°, 50°				
Input Voltage	230V AC 50Hz / 12V/24V DC				
Power Consumption	7 W / 6 W				
Operating Temperature.	-20°C + +55°C				
Dimensions	Ø96mm				
Cable Type	H07RN-F 3G1 / 2X1.5				
Cable Length	0.5m				
IP Rating	IP67 / IP68				
Lifetime***	≥ 60 000 h				

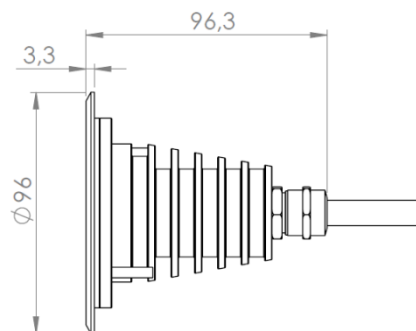
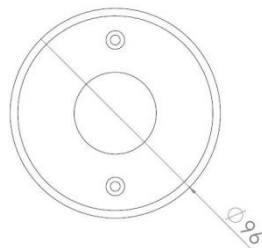
* Other CCTs and colours available on request.

** Source performance in real-life conditions at Ta=25°C; includes optical losses; the tolerance of source lumen output is 5%.

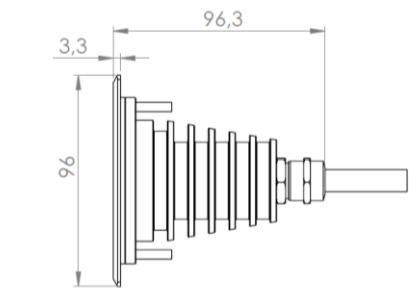
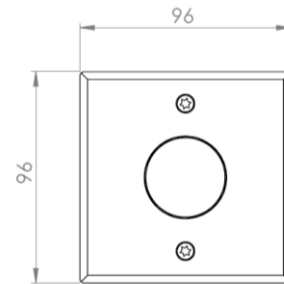
*** Approximate lifetime of LEDs declared by Cree® at Ta=25°C (for 90% of initial light output) and other electronic components

DIMENSIONS [mm]

ROUND FRONT

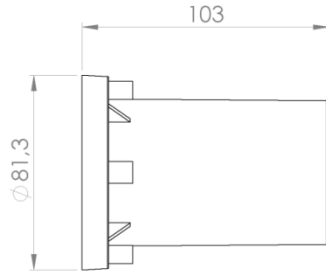


SQUARE FRONT



ACCESSORIES

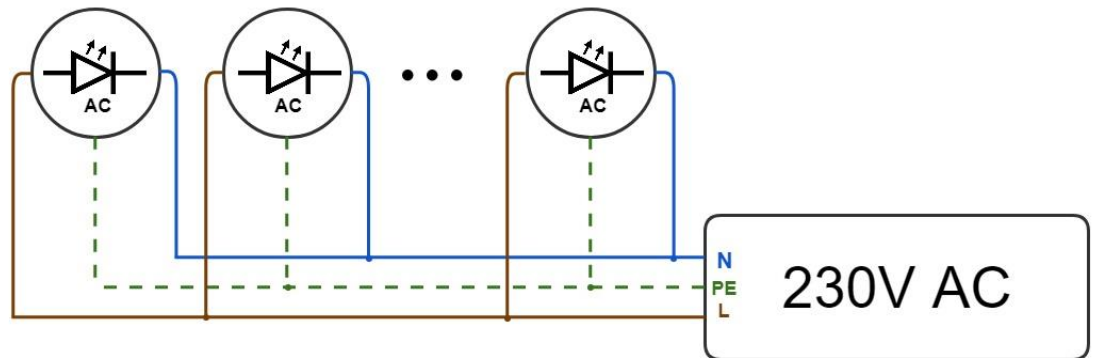
GROUND-STANDARD-ABS-1



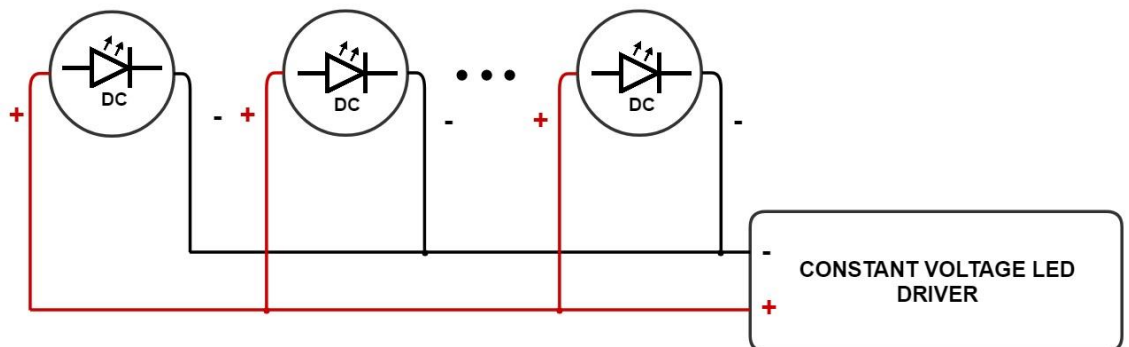
GROUND-STANDARD-ABS-2



ELECTRICAL INSTALLATION



Connecting to the power supply should be done when the power supply is off.



Connecting to the power supply should be done when the power supply is off.

**ORDER CODE
FORMAT**

**GROUND
STANDARD**

FAMILY

LV - 7 W
HV - 6 W
POWER

30 - 30 degrees
50 - 50 degrees
FWHM ANGLE

SA - Steel front and aluminium body
SS - Steel front and body
MATERIAL OF THE FRONT / BODY

- 7 - VW - 30 - SQ - SA - LV

CCT
AW - 2200K
VW - 2700K
WW - 3000K
NW - 4000K
CW - 5000K

FRONT PLATE
SQ - Square
RD - Round

SUPPLY VOLTAGE
LV - 12V/24V DC
HV - 230V AC, 50Hz

**ENVIRONMENTAL
CAUTION**



Caution!

It is prohibited to dispose of obsolete and waste electrical and electronic equipment together with regular household wastes. They should be properly sorted and recycled. Old electrical and electronic equipment should be returned to a waste collection point established by a waste-management service. Waste electrical and electronic equipment can be broken down to base materials and then recycled. For more information regarding waste management please contact your local authorities, waste-management service or the seller of electrical and electronic devices