



INTRODUCTION SAVE ENERGY WITH NIVISS

The Ground series was designed using modern simulation methods in order to obtain the highest product quality. Ground series fixtures are made of top-quality materials such as marine grade steel, high-purity glass for optical applications, and modern CREE LEDs.

- Based on CREE® LEDs
- 12/24V DC
- Made of 316L steel
- Power: 2W (on request: 3W)
- IP68
- 5-year warranty
- Round or square front

APPLICATIONS The Niviss Ground Mini fixture can be used for lighting many places and objects such as:

- recreation areas
- saunas
- garden ponds
- gardens
- terraces
- squares

SPECIFICATION

LIGHT COLOUR	CONFORT WHITE	WARM WHITE	NEUTRAL WHITE	COOL WHITE
Colour Temperature*	2700 ± 150 K	3000 ± 150 K	4000 ± 250 K	5000 ± 250 K
Effective Lumen Output**	115 lm	115 lm	125 lm	150 lm
CRI		≥ 80		≥ 70
Viewing Angle [FWHM]		15°, 27°, 43°		
Input Voltage	12V/24V DC			
Power Consumption	2 W (3W on req(3W on request)e3x uest)			
Operating Temperature.	-20°C + +55°C			
Dimensions	Ø50mm			
Cable Type	H07RN-F 2X1.5			
Cable Length	0.5m			
IP Rating	IP68			
Lifetime***	≥ 35 000 h			

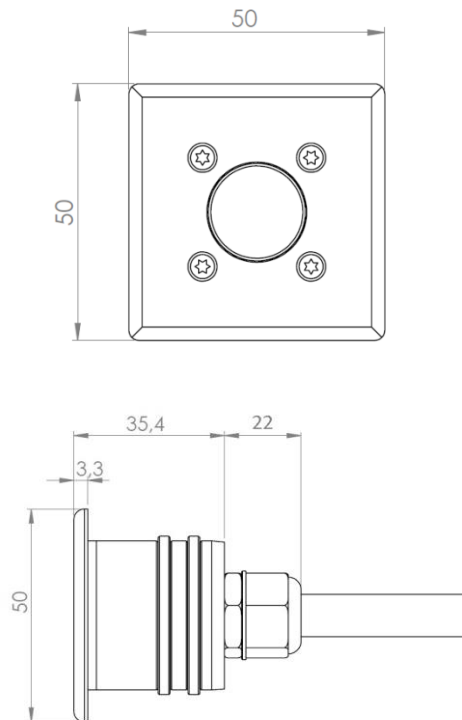
* Other CCTs and colours available on request.

** Source performance in real-life conditions at Ta=25°C; includes optical losses; the tolerance of source lumen output is 5%.

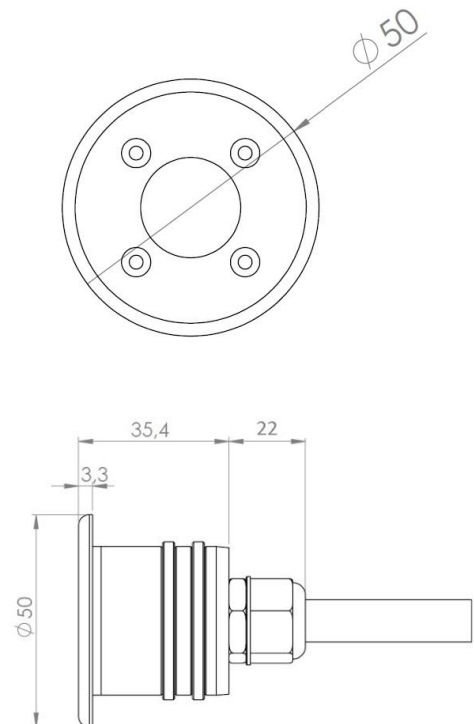
*** Approximate lifetime of LEDs declared by Cree® at Ta=25°C (for 90% of initial light output) and other electronic components

DIMENSIONS [mm]

SQUARE FRONT

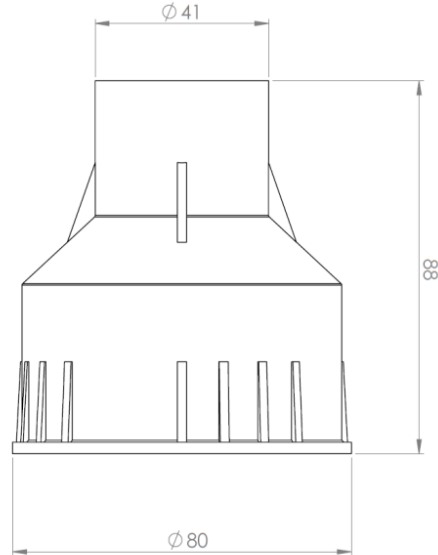


ROUND FRONT

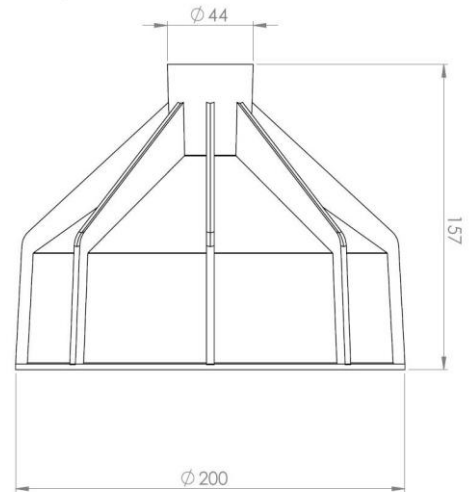


ACCESORIES

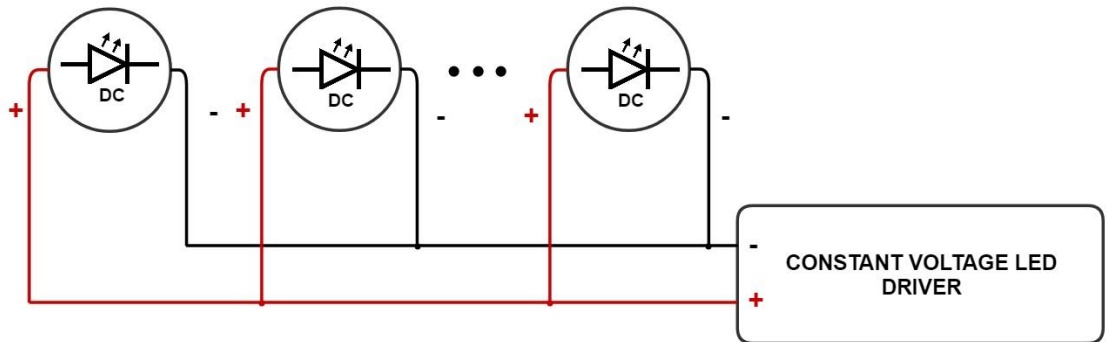
GROUND-MINI-ABS-1



GROUND-MINI-ABS-2



ELECTRICAL INSTALLATION



Connecting to the power supply should be done when the power supply is off.

ORDER CODE FORMAT

	POWER	FWHM ANGLE	MATERIAL OF THE FRONT / BODY
		15 - 15 degrees 27 - 27 degrees 43 - 43 degrees	SS - Steel front and body
GROUND MINI	- 2 - VW -	15 - SQ -	SS - LV
FAMILY	CCT VW - 2700K WW - 3000K NW - 4000K CW - 5000K	FRONT PLATE SQ - Square RD - Round	SUPPLY VOLTAGE LV - 12V/24VDC

ENVIRONMENTAL CAUTION



Caution!

It is prohibited to dispose of obsolete and waste electrical and electronic equipment together with regular household wastes. They should be properly sorted and recycled. Old electrical and electronic equipment should be returned to a waste collection point established by a waste-management service. Waste electrical and electronic equipment can be broken down to base materials and then recycled. For more information regarding waste management please contact your local authorities, waste-management service or the seller of electrical and electronic devices..