

INTRODUCTION SAVE ENERGY WITH NIVISS

The Ground series was designed using modern simulation methods in order to obtain the highest product quality. Ground series fixtures are made of top-quality materials such as marine grade steel, high-purity glass for optical applications, and modern CREE LEDs.

- CREE® LEDs inside
- 700 mA
- Made of 316L steel
- Power: 2W (on request: 1W)
- IP68
- 5-year warranty
- Round or square front
- Also available in aluminum body

APPLICATIONS The Niviss Ground Nano fixture can be used for lighting many places and objects such as:

- saunas and SPA
- bathrooms
- kitchens
- gardens
- terraces
- stair lights

SPECIFICATION

	LIGHT COLOUR	CONFORT WHITE	WARM WHITE	NEUTRAL WHITE	COOL WHITE
Colour Temperature*		2700 ± 150 K	3000 ± 150 K	4000 ± 250 K	5000 ± 250 K
Effective Lumen Output**		200 lm	200 lm	230 lm	230 lm
CRI		≥ 80			
Viewing Angle [FWHM]		15°, 30°, 60°			
Constant Current		700 mA			
Power Consumption		2 W			
Operating Temperature.		-20°C + +55°C			
Dimensions		Ø25mm			
Cable Type		UL1007, AWG 20, black and red			
Cable Length		0.3m			
IP Rating		IP68			
Dimming***		YES			
Lifetime****		≥ 60 000 h			

* Other CCTs and colours available on request.

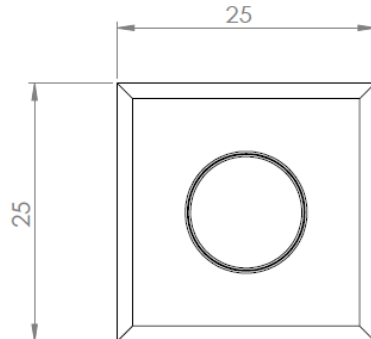
** Source performance in real-life conditions at Ta=25°C; includes optical losses; the tolerance of source lumen output is 5%.

*** Depends on power supply

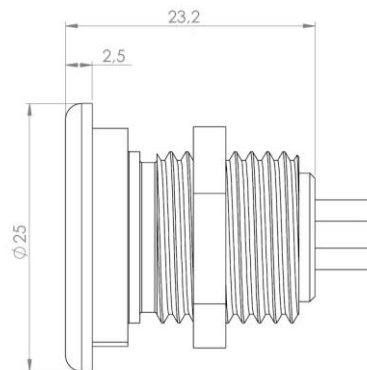
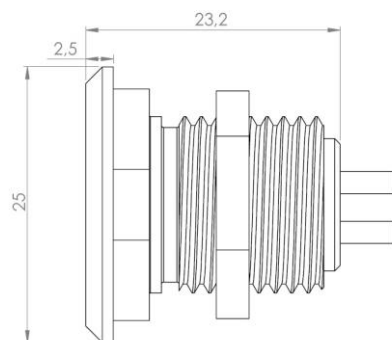
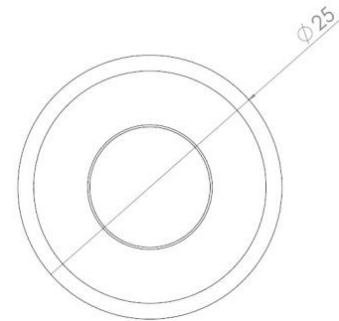
**** Approximate lifetime of LEDs declared by Cree® at Ta=25°C (for 80% of initial light output) and other electronic components.

DIMENSIONS [mm]

SQUARE FRONT

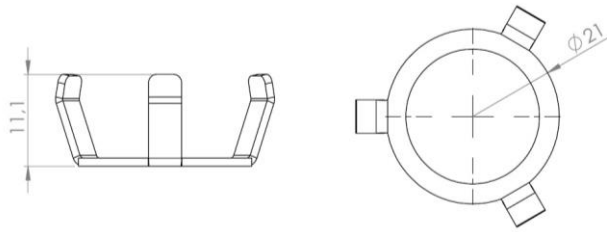


ROUND FRONT

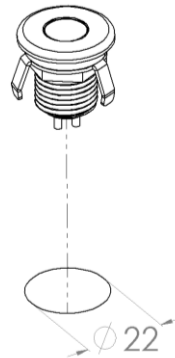


ACCESORIES

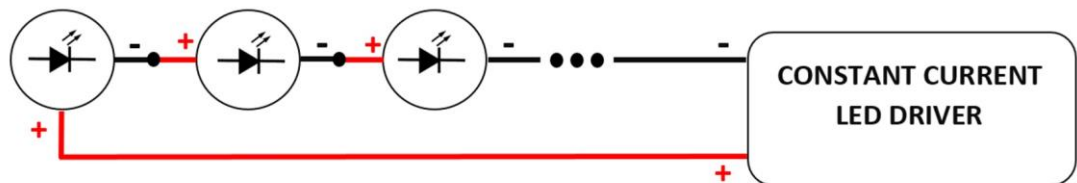
SP-NANO-SPRING



MOUNTING HOLE



ELECTRICAL INSTALLATION



Connecting to the power supply should be done when the power supply is off.

ORDER CODE FORMAT

	POWER	FWHM ANGLE	MATERIAL OF THE FRONT / BODY	TYPE OF POWER SUPPLY
GROUND NANO - 2 - VW - 15 - SQ - SS - CC	CCT VW - 2700K WW - 3000K NW - 4000K CW - 5000K	15 - 15 degrees 30 - 30 degrees 60 - 60 degrees	SS - Steel front and body AA - Aluminum front and body	CC - Constant current (max 700mA)
<small>FAMILY</small>		<small>FRONT PLATE</small>		
		SQ - Square RD - Round		

ENVIRONMENTAL CAUTION



Caution!

It is prohibited to dispose of obsolete and waste electrical and electronic equipment together with regular household wastes. They should be properly sorted and recycled. Old electrical and electronic equipment should be returned to a waste collection point established by a waste-management service. Waste electrical and electronic equipment can be broken down to base materials and then recycled. For more information regarding waste management please contact your local authorities, waste-management service or the seller of electrical and electronic devices.