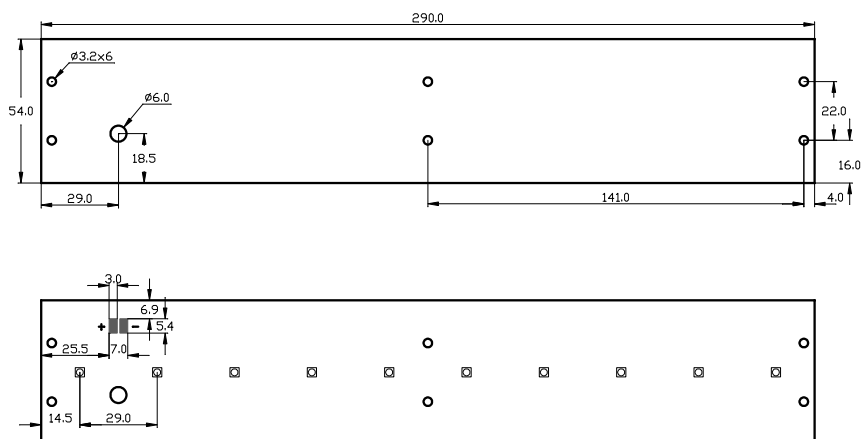




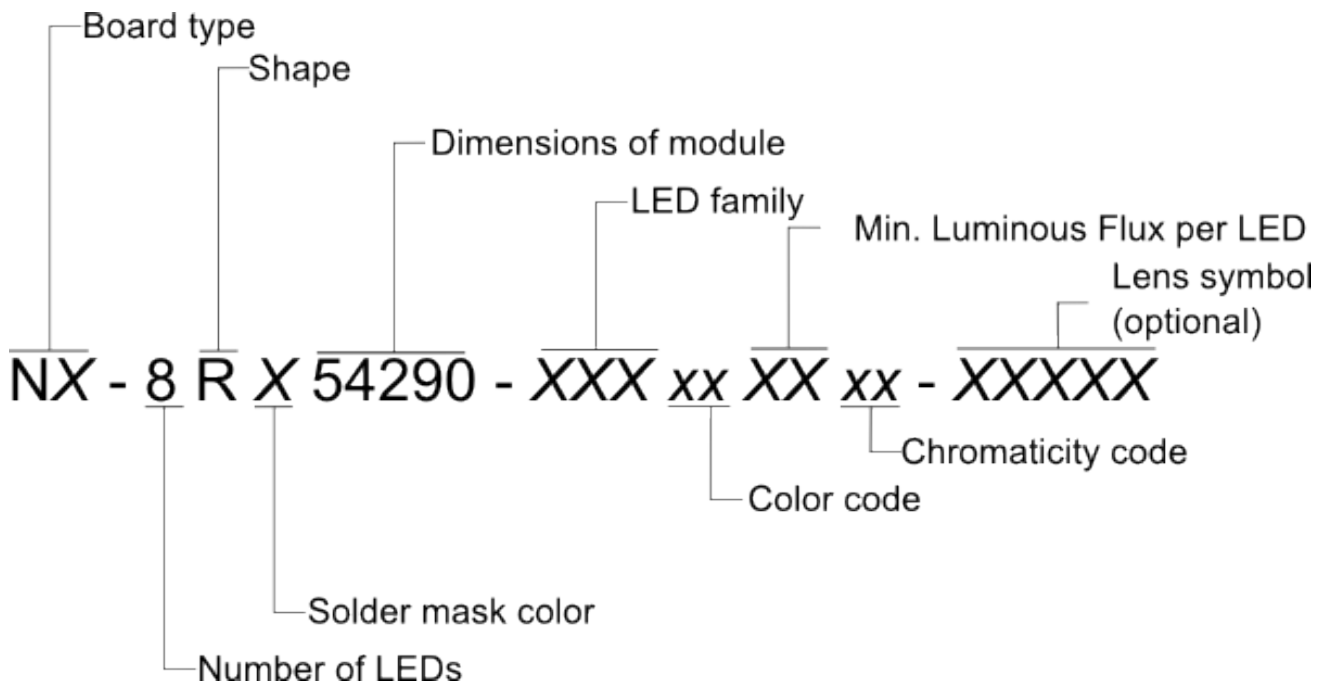
SHORT DESCRIPTION

- Rectangular MCPCB board with 54 mm x 290 mm dimensions
- Eight LEDs connected in series
- Designed for Cree Xlamp High-Power LEDs XP-C, XP-E, XP-E High-Efficiency, XP-G
- Compatible Lenses: appropriate lenses from Ledil and Ledlink families





PRODUCT NOMENCLATURE



Board Type¹

NX - 8RX54290 - XXX xx XX xx - XXXXX

	H [mm]	Material	Dielectric thermal conductivity [W/(m·K)]	Dielectric thickness [μm]
NV	2	1060 Alloy	1.5	80
NS	1.6			
NT	2	5052 Alloy	2	60
NC	1.6			
NM	2	Cu	3	60
NB	2	5052	depends on design ² 10 ÷ 50	60



Soldermask Color³

NX - 8RX54290 - XXX xx XX xx - XXXXX

Color name	
B	Black
O	Orange
W	White

LED Family

NX - 8RX54290 -XXX xx XX xx - XXXXX

	Description	Suggested Board Type
XPC	Cree Xlamp XP-C Type	NV, NS, NT, NC, NM
XPE	Cree Xlamp XP-E Type	NV, NS, NT, NC, NM
XHE	Cree Xlamp High-Efficiency XP-E Type	NV, NS, NT, NC, NM
XPG	Cree Xlamp XP-G Type	NT, NC, NM

Color

NX - 8RX54290 - XXX xx XX xx - XXXXX

Color name	CTT Range [K]		Led families
	min	max	
WC Cool White	5000	10000	XPC, XPE, XHE ⁴ , XPG ⁵
WO Outdoor White	4000	5300	XPE, XHE ⁶ , XPG
WN Neutral White	3700	5000	XPC, XPE, XHE, XPG
80 80-CRI White	2600	4300	XPE, XHE, XPG
WW Warm White	2600	3700	XPC, XPE, XHE, XPG
85 85-CRI White	2600	3200	XPE, XHE, XPG
90 90-CRI White	2600	3200	XPE, XHE, XPG



	Color name	Dominant Wavelength [nm]		Led families
		min	max	
BR	Royal Blue	450	465	XPC, XPE
BL	Blue	465	485	XPC, XPE
GR	Green	520	535	XPC, XPE
AM	Amber	585	595	XPC, XPE
RO	Red-Orange	610	620	XPC, XPE
RE	Red	620	630	XPC, XPE

Minimal Luminous Flux per LED

NX - 8RX54290 - XXX xx XX xx - XXXXX

Please refer to proper CREE Binning & Labeling documentation (located at <http://www.cree.com/products/xlamp.asp>) paragraph "Luminous or radiant flux group".

Chromaticity

NX - 8RX54290 - XXX xx XX xx - XXXXX

Please refer to proper CREE Binning & Labeling documentation (located at <http://www.cree.com/products/xlamp.asp>) paragraph "Chromaticity or dominant-wavelength group".

Lens Symbol (optional)⁷

NX - 8RX54290 - XXX xx XX xx - XXXXX

Following table contains some of example lenses for nGine.

Family	Example	Mounting	Manufacturer
Tina	10644, 10887, 10645, 11200, 10838	Glue	
CXP	10666, 10665, 10669, 10668, 10667, 10708	Glue	
LXP	10663, 10660, 11116, 10662	Glue	
Heidi	11264, 11265, 11266, 11267	Glue	
Lisa	10641	Glue	
LL01ZZ-FLXXL	FL10L, FL25L, FL3065L, FL60L	Glue	
LL01ZZ-EXXXL	EX10L, EX25L, EX3065L, EX40L, EX60L	Glue	
LL01CR-HQXXL	HQ30L, HQ40L	Glue	
LL01CR-NEXXL	NE25L, NE40L, NE60L, NE2545L	Glue	
LL01CR-DFXXL	DF25L, DF3065L, DF40L, DF60L, DF80L	Glue	



Ordering Code Example

NV-10RW54290-XPCWCR21C – 2 mm 1060 Alloy board with white soldermask, 10 XPC cool white LEDs, R21C bin,

NV-10RW54290-XPCWWP26C-DF80L – 2 mm 1060 Alloy board with white soldermask, 10 XPC warm white LEDs, P26C bin, LL01CR-DF80L Ledlink lens.

ENVIROMENTAL CAUTION



It is prohibited to dispose of obsolete and waste electrical and electronic equipment together with regular household wastes. They should be properly sorted and recycled. old electrical and electronic equipment should be returned to a waste collection point established by a waste-management service. Waste electrical and electronic equipment can be broken down to base materials and then recycled. For more information regarding waste management please contact your local authorities waste-management service or the seller of electrical and electronic devices.

NOTES

- ¹Another thickness available on request.
- ²Blind holes technology.
- ³Another soldermask color available on request.
- ⁴Max. CCT Range 8300 K.
- ⁵Max. CCT Range 8300 K.
- ⁶Min. CCT Range 2600 K.
- ⁷More lenses available on request.